



T330 Series II HydroSeeder

The FINN T280/T330 HydroSeeders are the largest, most robust members of the HydroSeeder family. The T280/T330 have the power and output capacity to handle large mine reclamation, highways, and commercial sites with new conveniences, greater versatility and increased operator efficiencies.

Performance & Productivity. The T280/T330 features a large centrifugal slurry pump, coupled with a Tier II turbo charged diesel engine, providing potent pump output and pressure. The result is impressive slurry discharge distance for outstanding productivity. The T280/T330 is also equipped with an independently controlled pump/agitator operation; twin mechanical paddle agitation; liquid recirculation; and a hefty hydraulic system.

In addition to these performance enhancing features, the T280/T330 HydroSeeders are equipped with the time-tested and field proven "clump" technology. The "clump" (clutch/pump) technology uses a unique single shaft design to maximize mechanical efficiency making the clump the most efficient pump available.

Ergonomics & Controls. The FINN T280/T330 HydroSeeders are designed for operator convenience. A *relocated discharge boom* was moved to a more centralized

Model shown may include optional equipment.

location increasing the operator comfort and rear sweep pattern. The *Tier 2 engine control panel* is integrated into the discharge boom tower stand putting all engine controls at the operator's fingertips. A standard ground level control station with engine start/stop, throttle, and pump control makes hose work trouble-free. *Newly designed loading hatch* with a larger opening and a curbside hinged lid enables more efficient loading. *Operator's platform and access ladder* have been enhanced for operator comfort and improved accessibility.

As the world leader for over 70 years in the design and manufacture of innovative, quality equipment for the green industry, FINN Corporation is committed to your complete satisfaction.



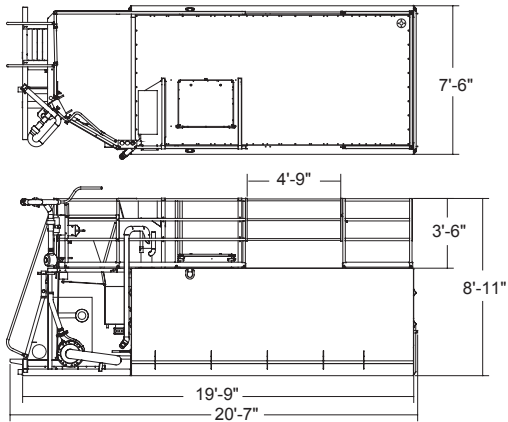
T330 Series II HydroSeeder

SMARTER WAYS TO WORK

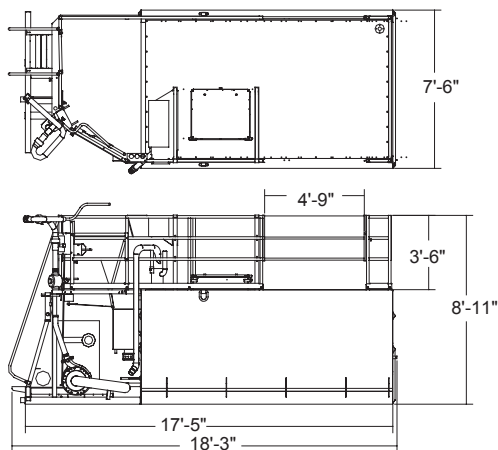
9281 LeSaint Drive • Fairfield, OH 45014-5457 • Phone (513) 874-2818 • Fax (513) 874-2914
Toll Free (800) 543-7166 • Parts (800) 229-8707 • E-mail: sales@finncorp.com
Customer Service/Warranty (888) 382-1966

FINN MODEL T280/T330 TECHNICAL SPECIFICATIONS

T330 HYDROSEEDER®



T280 HYDROSEEDER®



POWER	John Deere 4045T (4.5 L) Tier II compliant industrial water-cooled ,115 hp Turbo Diesel, with over-center clutch. Vibration isolated. Control panel with digital engine information display, throttle, pump on/off an horn.	
ENGINE SAFETY SYSTEM	Engine ECU with self-diagnostics including low oil pressure, high temperature shutoff	
TANK SIZE	T280	2,750 gallon (10,410 liter) liquid capacity, 2,500 gallon (9,464 liter) working capacity
	T330	3,350 gallon (12,488 liter) liquid capacity, 3,000 gallon (11,357 liter) working capacity
FUEL TANK CAPACITY	38 gallon (144 liter)	
PUMP	Centrifugal 5" x 2-1/2" (12.7 cm x 6.4 cm) 400 gpm @ 130 psi, 1" (2.5 cm) solid clearance	
PUMP DRIVE	In-line coupled to air-controlled over-center clutch, pump drive is independent of agitator operation	
AGITATION	Twin mechanical paddle agitators and liquid recirculation	
AGITATOR DRIVE	Reversible, variable speed hydraulic motor drive (0-130 rpm)	
DISCHARGE DISTANCE	Up to 230 ft. (70 m) from discharge tower	
MATERIAL CAPACITY	T280	8,000 lbs. (3,630 kg) granular solids, 1,250 lbs. (570 kg) fiber mulch
	T330	10,000 lbs. (4,536 kg) granular solids, 1,500 lbs. (680 kg) fiber mulch
NOZZLES	(2) narrow fan, (2) wide fan, (2) long distance	
EMPTY WEIGHT	T280	8,950 lbs. (4,070 kg)
	T330	9,600 lbs. (4,370 kg)
WORKING WEIGHT*	T280	35,600 lbs. (16,150 kg)
	T330	42,000 lbs. (19,050 kg)
LOADING HATCH	Large sealed hatch with 24-1/2" x 29-1/2" opening and a pivoting stainless steel bag cutter and safety grate	

*Working weights are approximate and do not include options or stored materials.

FINN Corporation has a policy of continuous product improvement, and reserves the right to change design and specifications without notice.